



## INLINE CAPPER CVC 1206



The CVC 1206 Capper is a very flexible machine designed to apply and tighten screw-on caps onto containers at rates of up to 150 bottles per minute. The CVC 1206 is Siemens PLC controlled. The system is designed with two pair of belt tightening belt assemblies. Options include tower lamp, hopper level control, cap inspection (level cap, foil seal, and no cap), reject, and reject verification.

- Built to cGMP standards
- Stainless steel construction
- Quick and easy change over

### STANDARD FEATURES

- Siemens PLC Controlled
- Cap tightening station with 2 belt tightening systems
- 9.1 cu ft. integrated cap hopper elevator
- ISO 9001:2000 certified



### CVC 1206 Technical Specifications

Speed	Up to 120 Bottles per Minute(BPM)
Cap Type	Plastic screw and CRC
Cap Height	1/8" to 3/4" (3mm - 22mm)
Cap Diameter	1-1/8" to 2-3/4" (30mm - 70mm)
Bottle Height	2" to 7-7/8" (50mm to 200mm)
Bottle Diameter	1-1/8" to 4 1/2" (30mm - 114 mm) (maximum 7 1/2" bottle diameter on a 6" wide conveyor)
Bottle Body Height	2" (51mm) below the shoulder
Power Source	220V, 50/60 Hz, Single Phase
Power Consumption	7.5 Amp
Air Pressure	Minimum 85 psi (ISO 8573-1)
Air Consumption	15-20 cfm
Machine Dimensions	5'-7" x 5'-4" x 7'-5" (1711mm x 1636mm x 2264mm) (L x W x H)
Machine Weight	1684 lbs. (764kg)
Hopper Weight	397 lbs. (180kg)
Noise Level	78 dB

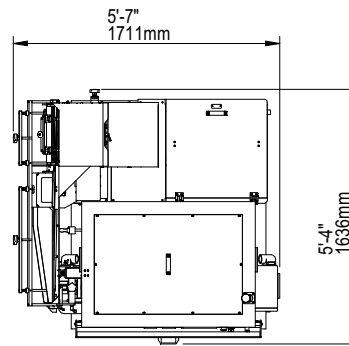
# TECHNICAL SPECIFICATIONS

## AVAILABLE OPTIONS

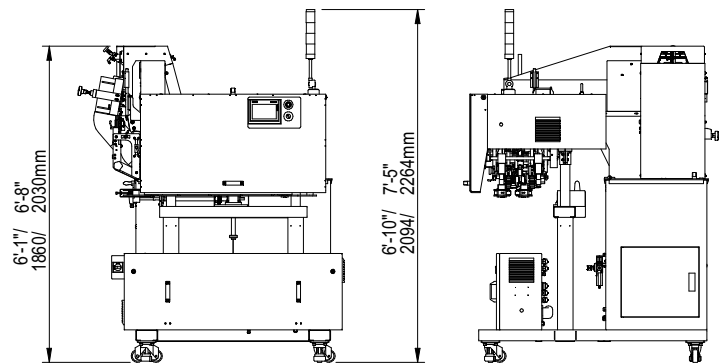
- Motorized sanitary conveyor (6" wide belt available)
- Tower lamp, hopper level control
- Cap inspection package (level cap, no cap, foil presence)
- Rejection system, reject confirmation
- Dual-belt gripping system
- 21 CFR Part 11 License

## MACHINE LAYOUTS

### Top View



### Front View



The dimensions shown are for standard machine. The conveyor can be extended: the length may vary based on selected options. This machine can run independently or be integrated into an automated packaging line. All CVC equipment is covered by a one-year parts warranty. Full Warranty details are included in our equipment proposals or can be found on our website.



### Contact Us

**USA**  
10861 Business Drive, Fontana, CA 92337  
Phone: +1 (909) 355-0311  
[www.cvctechnologies.com](http://www.cvctechnologies.com)  
[sales@cvcusa.com](mailto:sales@cvcusa.com)

**USA East Coast Office**  
1855 New Highway, Suite C, Farmingdale NY 11735  
[sales@cvcusa.com](mailto:sales@cvcusa.com)

**Taiwan-Asia Pacific Headquarters**  
Phone: +886 (4) 2496-3666  
[sales@cvctechnologies.com](mailto:sales@cvctechnologies.com)

**China/India/Indonesia**  
[sales@cvctechnologies.com](mailto:sales@cvctechnologies.com)